



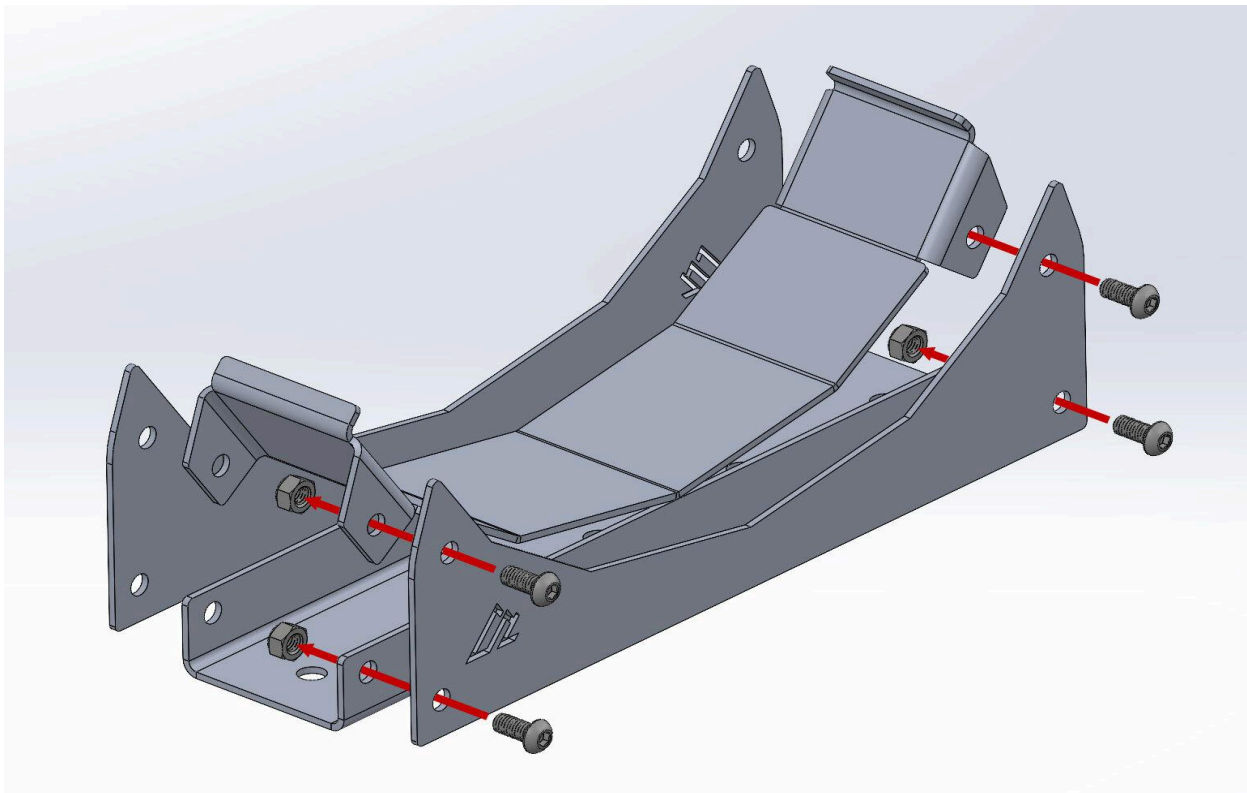
INSTRUCTIONS

SLEEPER KEEPER - LARGE TENT MOUNT

Thank you for purchasing from AAL! We greatly appreciate your trust in our company. We take that purchase and your commitment to us very seriously. If you have any questions along the way, please don't hesitate to give us a call at 385.202.4188.

What's included:

Bottom Plate	2	M6 Nylock Nuts	20
Side Panel (Logo)	4	M6x20mm Button Head Flange Bolt	4
Top Panel	4	M6 Washers	4
M6x14mm Button Head Bolt	16		



Step 1: Mount the Bottom Plate to the Bed Rack(Or Any Other Surface)

Using the (4) M6x20 button head flange bolts, (4) M6 nuts and (4) washers mount each bottom plate to the bed rack, roof rack, etc. It should go: bolt-mounting plate-washer then nyloc nut.

Step 2: Attach the Side Panels

Using (4) M6x14 button head bolts and (4) M6 nyloc nuts for each mount, bolt the side panels to the bottom mounting plate with the bottom 2 holes on each side panel.

Step 3: Attach the Top Panel

Using (4) M6x14 button head bolts and (4) M6 nyloc nuts for each mount, bolt the top panel to the side panels with the top 2 holes on each side panel.

Step 4: Throw on your tent and strap it down!

Step 5: Share Your Photos

We take great pride in building our products and we hope that pride extends to you after assembling and installing your Sleeper Keeper. If you are able to share your photos online (Facebook and Instagram), please tag **@AmericanAdventureLab**. We would love to see how it turned out and give you some reciprocal attention in return!

Congrats! You're all done!

Thank you!

At American Adventure Lab, we strive to improve anywhere we can. If you experience any issues with this product or have any suggestions, please let us know.

If you have any questions or concerns, please don't hesitate to reach out to us at 385.202.4188 or via email at Support@erp.adventurelab.com.



